

# Matrox® secure cable solution

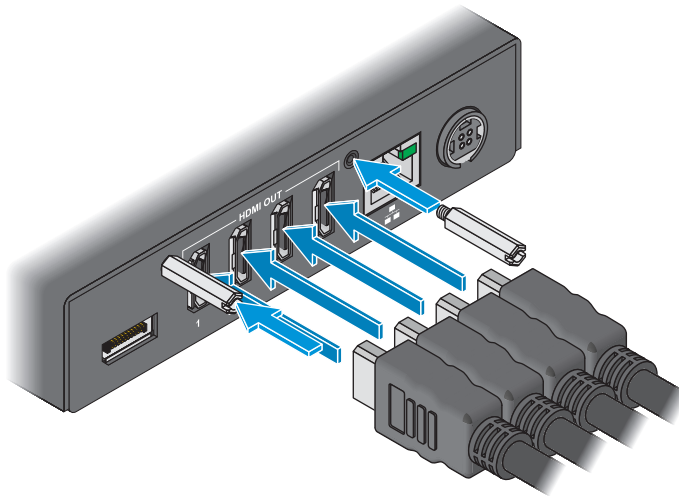
- Solution de fixation pour câble de Matrox
- Matrox Kabelsicherungslösung
- Soluzione per fissare il cavo Matrox
- Solución para la seguridad del cable de Matrox

F20274-650-0100

2019.05.29

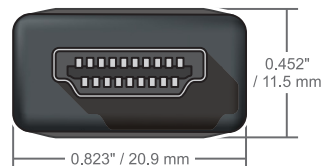
## Matrox QuadHead2Go™

1

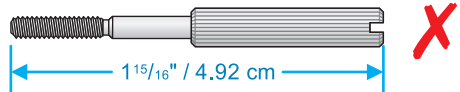
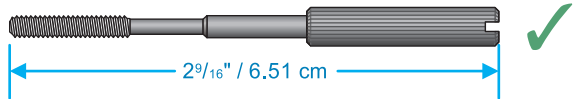
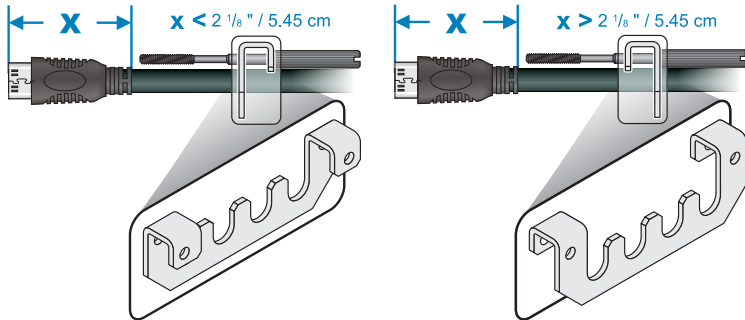
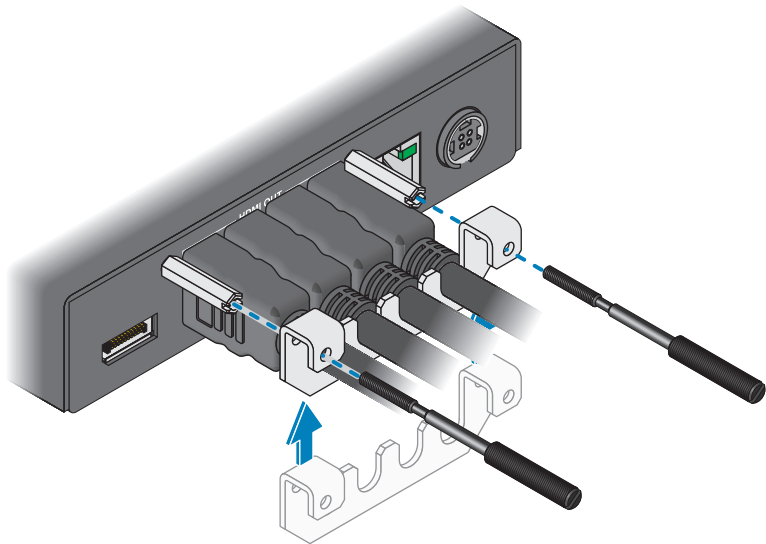


**Note:** Use only certified HDMI cables or adapters (maximum dimensions shown). • **Remarque:** Utilisez uniquement des câbles ou des adaptateurs HDMI certifiés (dimensions maximales affichées). • **Hinweis:** Verwenden Sie nur zertifizierte HDMI-Kabel oder -Adapter (maximalabmessungen angezeigt werden). • **Note:** Utilizzare solo cavi o adattatori HDMI certificati (dimensioni massime indicate). • **Nota:** Utilice sólo cables o adaptadores HDMI certificados (dimensiones máximas mostradas).

HDMI (A)



# 2



Copyright © 2019 Matrox Graphics Inc. • (English) All rights reserved. • (Français) Tous droits réservés. • (Deutsch) Alle Rechte vorbehalten. • (Italiano) Tutti i diritti riservati. • (Español) Reservados todos los derechos.

MATROX® and the brands associated with MATROX® products and the "matrox®" logo referenced herein are trademarks of Matrox Electronic Systems Ltd. or Matrox Graphics Inc., some of which are the subject of registrations in Canada and/or other jurisdictions, including the United States. Other brands and names are the property of their respective owners.

### Matrox Graphics Inc.

1055 Saint Regis Boulevard  
Dorval, Quebec, Canada H9P 2T4  
(514) 822-6000

[graphics@matrox.com](mailto:graphics@matrox.com)  
[www.matrox.com/graphics](http://www.matrox.com/graphics)

**matrox**®  
Graphics for Professionals