



Frame grabbers

# Matrox *CronosPlus* >>

Ultra low-cost frame grabber for standard analog monochrome or color video acquisition.



## Key features

- > video capture board for PCI form factor
- > captures from NTSC, PAL, RS-170 and CCIR video sources
- > connect up to 4 CVBS or 1 Y/C input(s)
- > trigger input
- > 7 TTL auxiliary I/Os<sup>1</sup>
- > 32-bit/33MHz PCI-bus master
- > programmed using Matrox Imaging Library (MIL) sold separately
- > supports 32-bit Microsoft® Windows® XP/Vista®

## Cost cutting video capture solution

Matrox *CronosPlus* is an entry-level frame grabber for extremely cost sensitive imaging applications. Utilizing a single highly integrated off-the-shelf chip, it delivers exceptional value and performance for standard analog monochrome or color video capture. Featuring simple standard connections, Matrox *CronosPlus* provides the flexibility for additional cost savings.

## Real-time capture to system or display

Matrox *CronosPlus* can transfer acquired images to either system (host CPU) memory for processing or display (graphics card) memory for video-in-a-window at live video rates.

## Video formatting

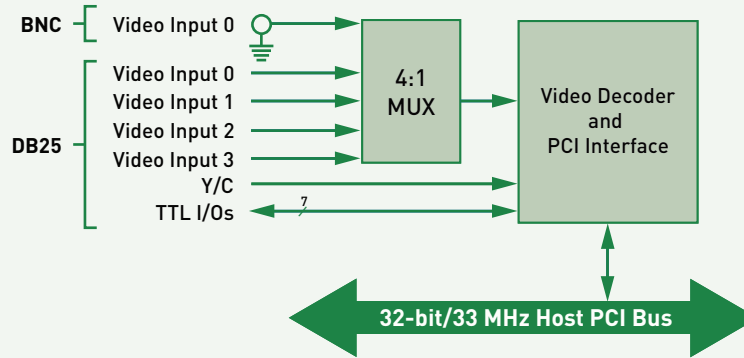
Matrox *CronosPlus* is supported by the Matrox Imaging Library (MIL), a comprehensive collection of software tools for developing industrial imaging applications. MIL features interactive software and programming functions for image capture, processing, analysis, annotation, display and archiving. These tools are designed to enhance productivity, thereby reducing the time and effort required to bring your solution to market. Refer to the MIL datasheet for more information.

## Field-proven application development software

Matrox *CronosPlus* is supported by the Matrox Imaging Library (MIL), a comprehensive collection of software tools for developing industrial imaging applications. MIL features interactive software and programming functions for image capture, processing, analysis, annotation, display and archiving. These tools are designed to enhance productivity, thereby reducing the time and effort required to bring your solution to market. Refer to the MIL datasheet for more information.



## Matrox CronosPlus



### Specifications

#### Acquisition

- analog composite (CVBS) or Y/C NTSC/PAL
- analog RS-170/CCIR
- automatic gain control (AGC)
- BGR32 packed, RGB24 packed, YUV422 packed and MON08 pixel formats
- Opto trigger input (sync. to video)
- 7 TTL auxiliary inputs and outputs<sup>1</sup>
- connect up to 4 CVBS or 1 Y/C

#### Formatting

- input cropping (ROI capture)
- vertical/horizontal flip
- arbitrary downscaling to 1/64th of a field

#### Host interface

- 32-bit/33 MHz PCI bus master
- interrupts for start and end of field, frame and sequence capture
- universal 32-bit card edge connector

#### Connectors

- 1 BNC connector for composite video input
- DB25 for TTL I/Os, 4 composite video inputs, Y/C input and trigger

#### Dimensions and environmental information

- 13.7 cm L x 9.1 cm H (5.4" x 3.6")<sup>2</sup>
- operating temperature: 0° C to 55° C (32° F to 131° F)
- relative humidity: up to 95% (non-condensing)
- FCC/CE class B
- RoHS-compliant

#### Corporate headquarters:

Matrox Electronic Systems Ltd.  
1055 St. Regis Blvd.  
Dorval, Quebec H9P 2T4  
Canada  
Tel: +1 (514) 685-2630  
Fax: +1 (514) 822-6273

#### Software Driver

- Matrox Imaging Library (MIL) driver for 32-bit Microsoft® Windows® XP/Vista®

### Ordering Information

#### Hardware

Part number	Description
CRONOSPLUS*	Standard analog color/monochrome frame grabber.

#### Software

Refer to MIL datasheet.

#### Notes:

1. Three inputs and four outputs.
2. Dimensions from bottom edge of goldfinger to top edge of board.

For more information, please call: 1-800-804-6243 (toll free in North America) or (514) 822-6020 or e-mail: [imaging.info@matrox.com](mailto:imaging.info@matrox.com) or <http://www.matrox.com/imaging>

**matrox**®

All trademarks by their respective owners are hereby acknowledged. Matrox Electronic Systems, Ltd. reserves the right to make changes in specifications at any time and without notice. The information furnished by Matrox Electronic Systems, Ltd. is believed to be accurate and reliable. However, no responsibility license is granted under any patents or patent rights of Matrox Electronic Systems, Ltd. Windows and Microsoft are trademarks of Microsoft Corporation. MMX and the MMX logo are registered trademarks of Intel Corporation. Printed in Canada, 2009-02-17. **51E-5292-D**