

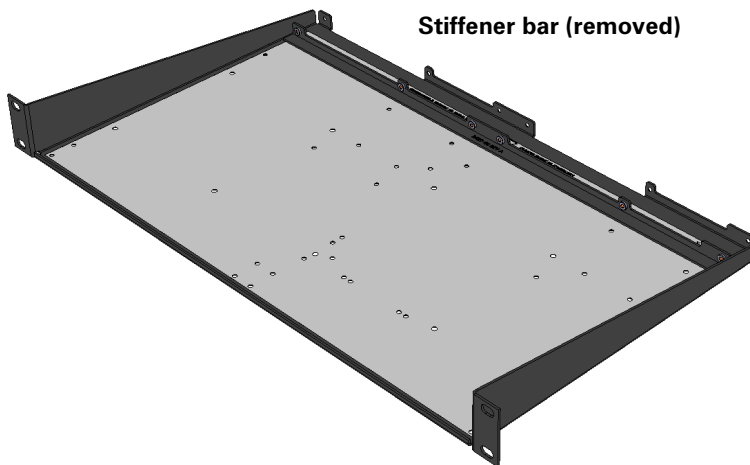
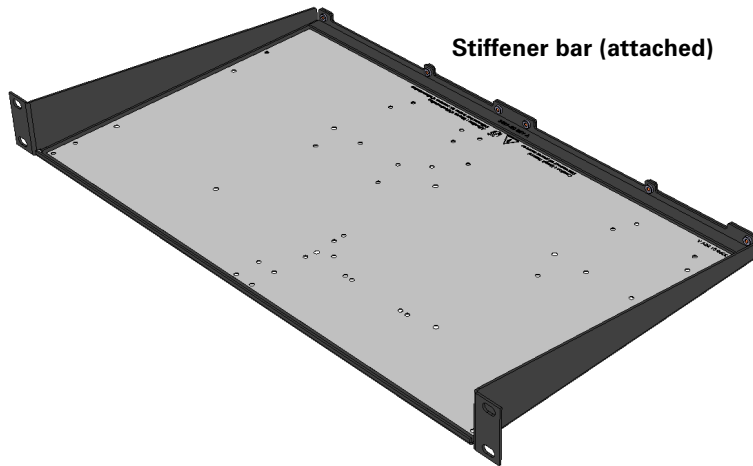
Replacing Matrox NRG Power Supply Modules

Step 1 -- Disconnect AC power

Disconnect the AC power cord from the power supply module you want to replace.

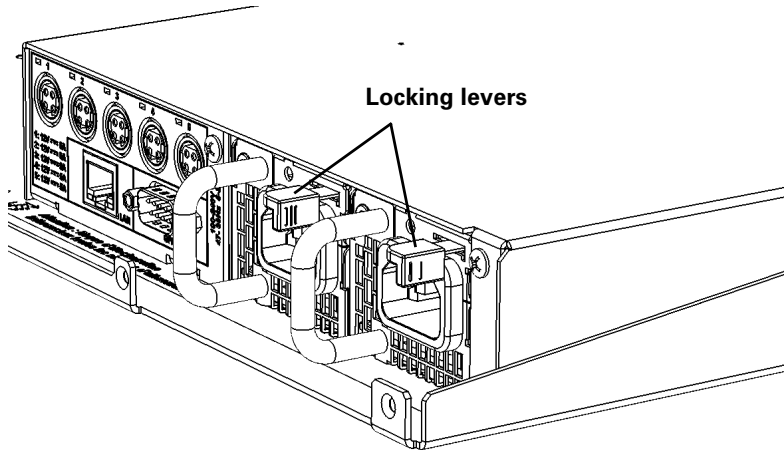
Step 2 -- Remove the stiffener bar

The Matrox NRG rack has a stiffener bar that partially blocks the power supply modules. You will need to unscrew the stiffener bar from the rack and remove it to access the modules.

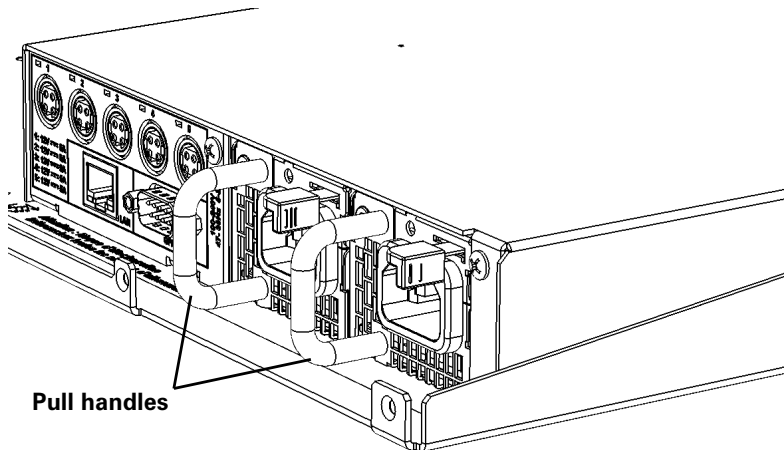


Step 3 -- Remove the power supply module

- 1 Slide the locking lever to unlock the power supply module from the Matrox NRG unit.



- 2 Pull on the handle to remove the module from the Matrox NRG unit.



- 3 Insert the new module until the locking lever clicks into place, then re-attach the stiffener bar.

Get the latest firmware and other information

Go to www.matrox.com/video/downloads for the latest firmware, documentation, and utilities.